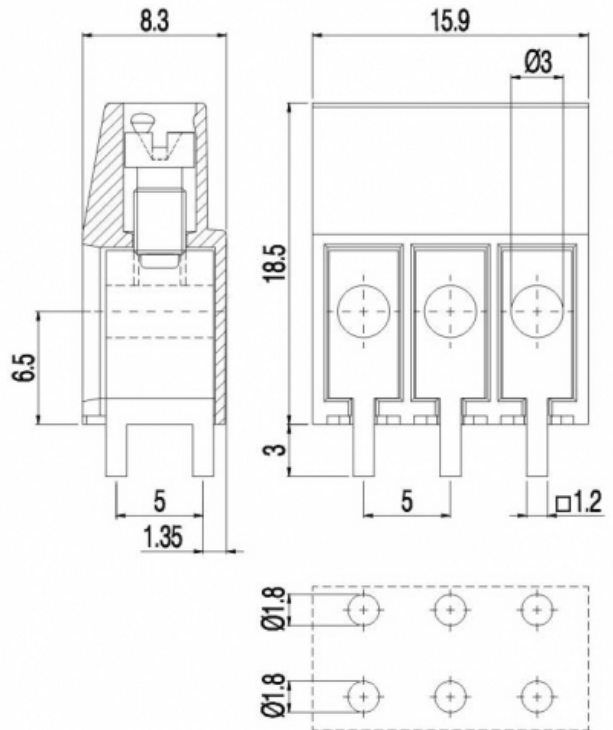
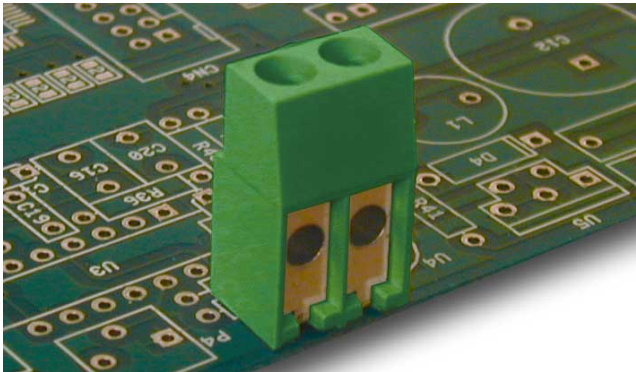


MVK45_-5-V-L



GENERAL INFORMATION

| | |
|-----------------------|------------------------------|
| pitch | 5 mm |
| Height | 18.5 mm |
| Depth | 8.3 mm |
| Dimensional class | Alta |
| Wire section | 4.0 mm ² / 12 AWG |
| Clamp opening size | - |
| Wire stripping | max 7 mm |
| Operating temperature | -40 ÷ +130 °C |

ELECTRICAL CHARACTERISTICS

| | |
|-----------------|-------|
| Current | 32 A |
| Voltage | 250 V |
| impulse voltage | 2 kV |

MECHANICAL CHARACTERISTICS

| | |
|--------------------|-------------------------|
| Screw | M3 |
| Recommended torque | 1÷1.1 Nm / 9÷9.9 in.lbs |

APPROVALS DATA



| | EN 60998-1 | | UL 1059 |
|--------------|-------------------|---|---------------------------|
| Current | 32 A | - | 25 A factory / 20 A field |
| Voltage | 250 V | - | 300 V |
| Wire section | 4 mm ² | - | 20 AWG |
| Torque | 0.6 Nm | - | 9 Lb-in |
| FILE | CA02.00598 | - | E178356 |

MATERIALS

| | |
|-------------|--------------------------------------|
| Housing | PA - UL 94 V0 |
| Screw | Galvanized steel |
| Clamp | Tin-plated copper alloy |
| Terminal | - |
| SCIP Number | 913c0549-f214-47d1-ba70-4b2e8bd5de99 |

COLOURS

Standard



On request



POLES

NAME

3D FILE

| | | |
|---|--------------|----------------|
| 1 | MVK451-5-V-L | File available |
| 2 | MVK452-5-V-L | File available |
| 3 | MVK453-5-V-L | File available |