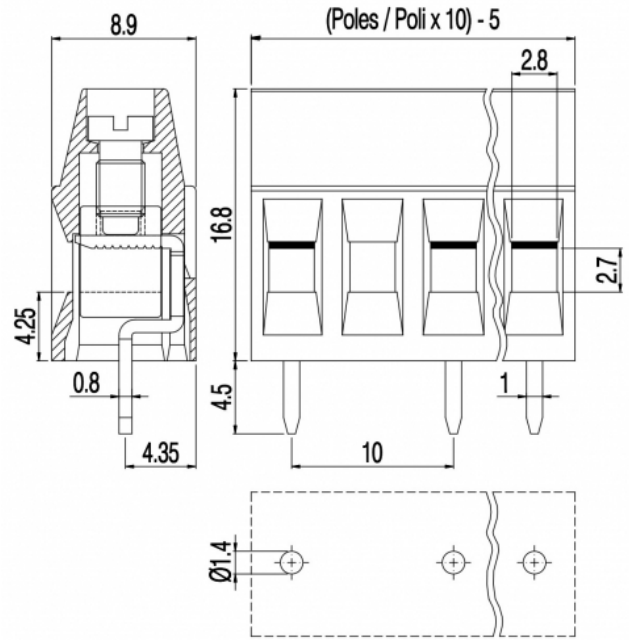


MVE25_-10-V-L



GENERAL INFORMATION

| | |
|-----------------------|------------------------------|
| pitch | 10 mm |
| Height | 16.8 mm |
| Depth | 8.9 mm |
| Dimensional class | Media |
| Wire section | 2.5 mm ² / 14 AWG |
| Clamp opening size | 2.8 x 2.7 mm |
| Wire stripping | max 7 mm |
| Operating temperature | -40 ÷ +130 °C |

ELECTRICAL CHARACTERISTICS

| | |
|-----------------|-------|
| Current | 16 A |
| Voltage | 750 V |
| impulse voltage | 3 kV |

MECHANICAL CHARACTERISTICS

| | |
|--------------------|------------------------------|
| Screw | M3 |
| Recommended torque | 0.5÷0.55 Nm / 4.5÷4.9 in.lbs |

APPROVALS DATA



| | EN 60998-1 | EN 60998-1 | UL 1059 |
|--------------|---------------------|---------------------|---------------------------|
| Current | 16 A | 16 A | 16 A factory / 15 A field |
| Voltage | 750 V | 750 V | 600 V |
| Wire section | 2.5 mm ² | 2.5 mm ² | 14 AWG |
| Torque | 0.5 Nm | 0.5 Nm | 4.5 Lb-in |
| FILE | EP149 | 40023956 | E178356 |

MATERIALS

| | |
|---------|------------------|
| Housing | PA - UL 94 V0 |
| Screw | Galvanized steel |

Clamp
Terminal
SCIP Number

Nickel-plated copper alloy
Tin-plated copper alloy
f1067497-248c-4560-9934-2bc3dfa74a42

COLOURS

Standard



On request



POLES

NAME

3D FILE

| | | |
|---|---------------|----------------|
| 2 | MVE252-10-V-L | File available |
| 3 | MVE253-10-V-L | File available |
| 4 | MVE254-10-V-L | File available |
| 5 | MVE255-10-V-L | File available |
| 6 | MVE256-10-V-L | File available |