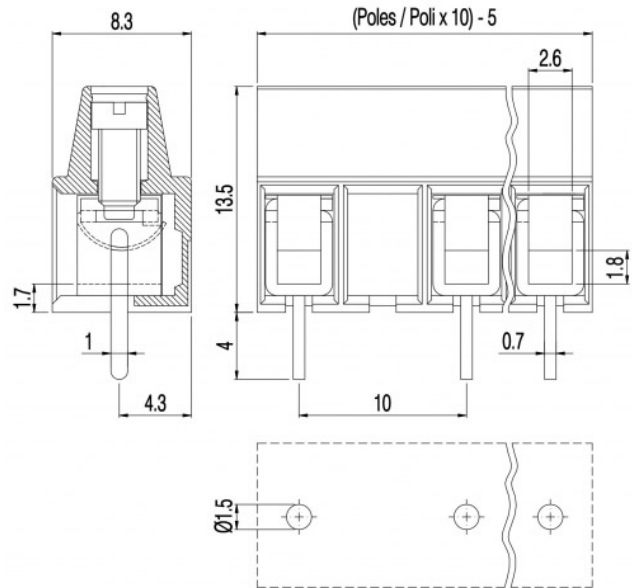


MVE15_-10-V-L



GENERAL INFORMATION

pitch	10 mm
Height	13.5 mm
Depth	8.3 mm
Dimensional class	Bassa
Wire section	1.5 mm ² / 16 AWG
Clamp opening size	2.6 x 1.8 mm
Wire stripping	max 7 mm
Operating temperature	-40 ÷ +130 °C

ELECTRICAL CHARACTERISTICS

Current	17.5 A
Voltage	750 V
impulse voltage	3 kV

MECHANICAL CHARACTERISTICS

Screw	M2.5
Recommended torque	0.4÷0.44 Nm / 3.6÷4 in.lbs

APPROVALS DATA



	EN 60998-1	EN 60998-1	UL 1059
Current	17.5 A	17.5 A	17.5 A factory / 10 A field
Voltage	750 V	750 V	600 V
Wire section	1.5 mm ²	1.5 mm ²	16 AWG
Torque	0.4 Nm	0.4 Nm	3.6 Lb-in
FILE	EP151	40019705	E178356

MATERIALS

Housing	PA - UL 94 V0
Screw	Galvanized steel
Clamp	Tin-plated copper alloy
Terminal	Tin-plated copper alloy

COLOURS

Standard



On request



POLES	NAME	3D FILE
2	MVE152-10-V-L	File not available for this product
3	MVE153-10-V-L	File not available for this product
4	MVE154-10-V-L	File not available for this product
5	MVE155-10-V-L	File not available for this product
6	MVE156-10-V-L	File not available for this product