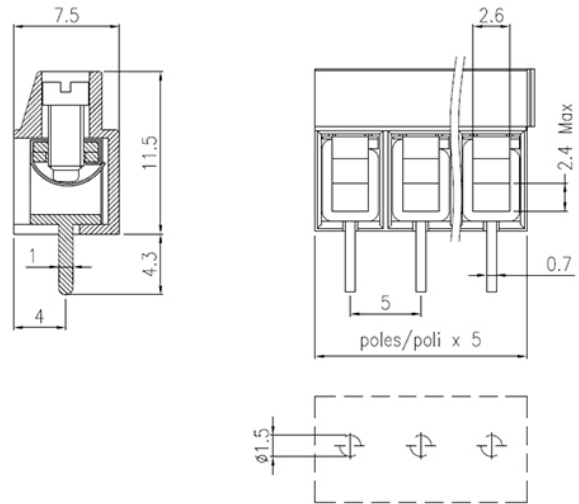
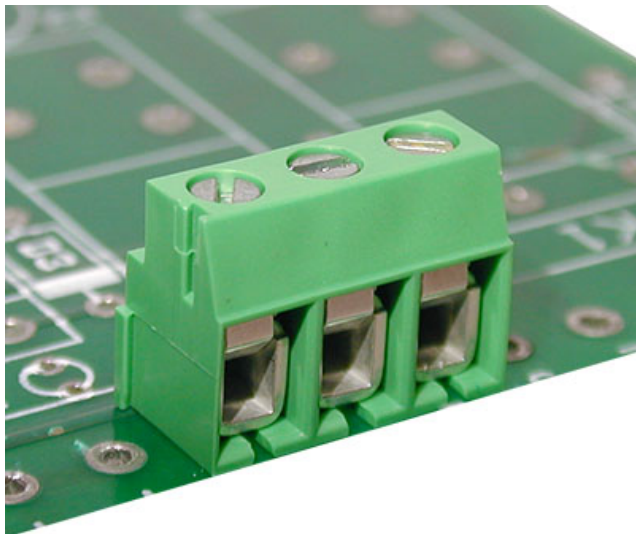


MVE11_-5-V



GENERAL INFORMATION

pitch	5 mm
Height	11.5 mm
Depth	7.5 mm
Dimensional class	Bassa
Wire section	2.5 mm ² / 14 AWG
Clamp opening size	2.6 x 2.4max mm
Wire stripping	max 6.5 mm
Operating temperature	-40 ÷ +130 °C

ELECTRICAL CHARACTERISTICS

Current	24 A
Voltage	450 V
impulse voltage	2.5 kV

MECHANICAL CHARACTERISTICS

Screw	M2.5
Recommended torque	0.4÷0.44 Nm / 3.6÷4 in.lbs

APPROVALS DATA



			UL 1059
Current	-	-	20 A factory / 15 A field
Voltage	-	-	300 V
Wire section	-	-	14 AWG
Torque	-	-	3.6 Lb-in
FILE	-	-	E178356

MATERIALS

Housing	PA - UL 94 V0
Screw	Galvanized steel
Clamp	Tin-plated copper alloy
Terminal	Tin-plated copper alloy

COLOURS

Standard

On request



POLES	NAME	3D FILE
2	MVE112-5-V	File not available for this product
3	MVE113-5-V	File not available for this product
4	MVE114-5-V	File not available for this product
5	MVE115-5-V	File not available for this product
6	MVE116-5-V	File not available for this product
7	MVE117-5-V	File not available for this product
8	MVE118-5-V	File not available for this product
9	MVE119-5-V	File not available for this product
10	MVE1110-5-V	File not available for this product
11	MVE1111-5-V	File not available for this product
12	MVE1112-5-V	File not available for this product