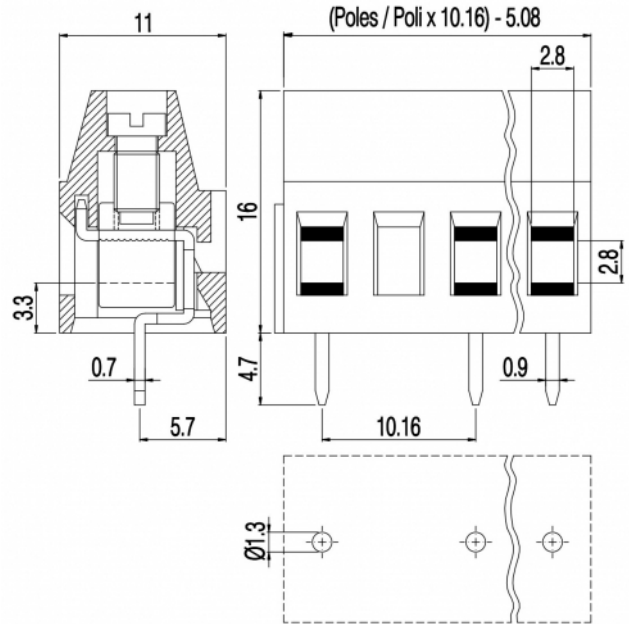


MV25_-10,16-V



GENERAL INFORMATION

pitch	10,16 mm
Height	16 mm
Depth	11 mm
Dimensional class	Media
Wire section	2.5 mm ² / 14 AWG
Clamp opening size	2.8 x 2.8 mm
Wire stripping	max 8 mm
Operating temperature	-40 ÷ +130 °C

ELECTRICAL CHARACTERISTICS

Current	16 A
Voltage	750 V
impulse voltage	3 kV

MECHANICAL CHARACTERISTICS

Screw	M3
Recommended torque	0.5÷0.55 Nm / 4.5÷4.9 in.lbs

APPROVALS DATA



	EN 60998-1	EN 60998-1	UL 1059
Current	16 A	16 A	16 A factory / 15 A field
Voltage	750 V	750 V	300 V
Wire section	2.5 mm ²	2.5 mm ²	14 AWG
Torque	0.5 Nm	0.5 Nm	4.5 Lb-in
FILE	EP149	40023956	E178356

MATERIALS

Housing	PA - UL 94 V0
---------	---------------

Screw
Clamp
Terminal
SCIP Number

Galvanized steel
Nickel-plated copper alloy
Tin-plated copper alloy
0ab5c29e-2c2a-42d2-bc27-7c61f6570969

COLOURS

Standard



On request



POLES

NAME

3D FILE

1	MV251-10,16-V	File available
2	MV252-10,16-V	File available
4	MV254-10,16-V	File available