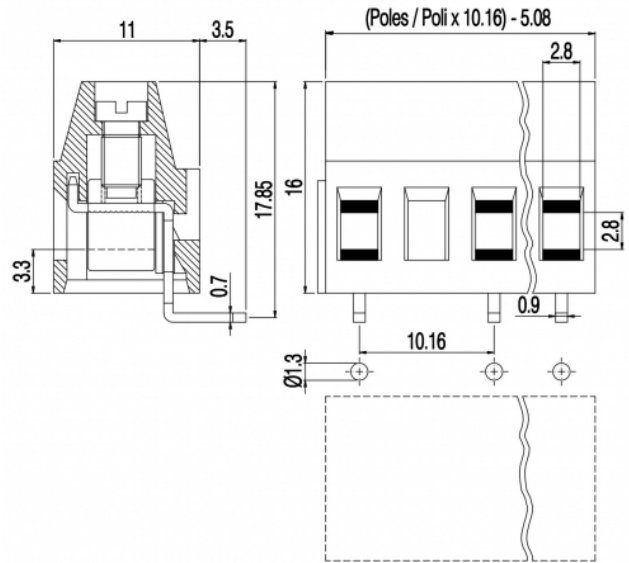


# MV25\_-10,16-H



### GENERAL INFORMATION

|                       |                              |
|-----------------------|------------------------------|
| pitch                 | 10,16 mm                     |
| Height                | 16 mm                        |
| Depth                 | 11 mm                        |
| Dimensional class     | Media                        |
| Wire section          | 2.5 mm <sup>2</sup> / 14 AWG |
| Clamp opening size    | 2.8 x 2.8 mm                 |
| Wire stripping        | max 8 mm                     |
| Operating temperature | -40 ÷ +130 °C                |

### ELECTRICAL CHARACTERISTICS

|                 |       |
|-----------------|-------|
| Current         | 16 A  |
| Voltage         | 750 V |
| impulse voltage | 3 kV  |

### MECHANICAL CHARACTERISTICS

|                    |                              |
|--------------------|------------------------------|
| Screw              | M3                           |
| Recommended torque | 0.5÷0.55 Nm / 4.5÷4.9 in.lbs |

### APPROVALS DATA



|              |                     |                     |                           |
|--------------|---------------------|---------------------|---------------------------|
|              | <b>EN 60998-1</b>   | <b>EN 60998-1</b>   | <b>UL 1059</b>            |
| Current      | 16 A                | 16 A                | 16 A factory / 15 A field |
| Voltage      | 750 V               | 750 V               | 300 V                     |
| Wire section | 2.5 mm <sup>2</sup> | 2.5 mm <sup>2</sup> | 14 AWG                    |
| Torque       | 0.5 Nm              | 0.5 Nm              | 4.5 Lb-in                 |
| FILE         | EP149               | 40023956            | E178356                   |

### MATERIALS

Housing  
Screw  
Clamp  
Terminal  
SCIP Number

PA - UL 94 V0  
Galvanized steel  
Nickel-plated copper alloy  
Tin-plated copper alloy  
0ab5c29e-2c2a-42d2-bc27-7c61f6570969

**COLOURS**

Standard

On request



**POLES**

**NAME**

**3D FILE**

|   |               |                                     |
|---|---------------|-------------------------------------|
| 1 | MV251-10,16-H | File not available for this product |
| 2 | MV252-10,16-H | File not available for this product |
| 4 | MV254-10,16-H | File not available for this product |