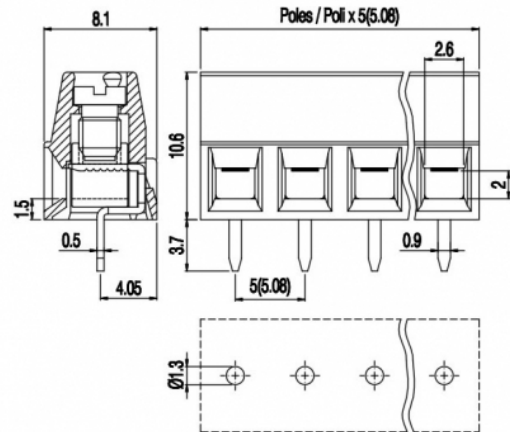


# MV15\_-5-V-L



Version with antirotation pegs is available on 2 poles connections.  
Disponibile per connessioni a 2 poli versioni con perni antitorsione.

### GENERAL INFORMATION

pitch	5 mm
Height	10.6 mm
Depth	8.1 mm
Dimensional class	Bassa
Wire section	1.5 mm <sup>2</sup> / 16 AWG
Clamp opening size	2.6 x 2 mm
Wire stripping	max 6 mm
Operating temperature	-40 ÷ +130 °C

### ELECTRICAL CHARACTERISTICS

Current	13.5 A
Voltage	250 V
impulse voltage	2 kV

### MECHANICAL CHARACTERISTICS

Screw	M3
Recommended torque	0.5÷0.55 Nm / 4.5÷4.9 in.lbs

### APPROVALS DATA



	EN 60998-1		UL 1059
Current	13.5 A	-	13.5 A factory / 10 A field
Voltage	250 V	-	300 V
Wire section	1.5 mm <sup>2</sup>	-	16 AWG
Torque	0.5 Nm	-	4.5 Lb-in
FILE	EQ202	-	E178356

### MATERIALS

Housing	PA - UL 94 V0
---------	---------------

Screw	Galvanized steel
Clamp	Nickel-plated copper alloy
Terminal	Tin-plated copper alloy
SCIP Number	8e28a064-07ab-45c1-afc0-7873209ceda4

**COLOURS**

Standard

On request



POLES	NAME	3D FILE
2	MV152-5-V-L	File available
3	MV153-5-V-L	File not available for this product
4	MV154-5-V-L	File not available for this product
5	MV155-5-V-L	File not available for this product
6	MV156-5-V-L	File not available for this product
7	MV157-5-V-L	File not available for this product
8	MV158-5-V-L	File not available for this product
9	MV159-5-V-L	File not available for this product
10	MV1510-5-V-L	File not available for this product
11	MV1511-5-V-L	File not available for this product
12	MV1512-5-V-L	File not available for this product