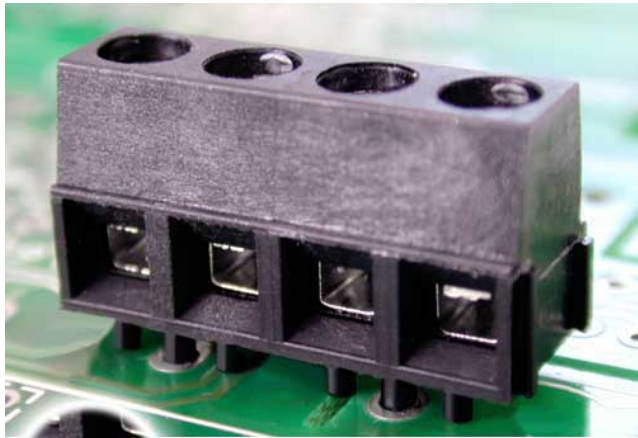
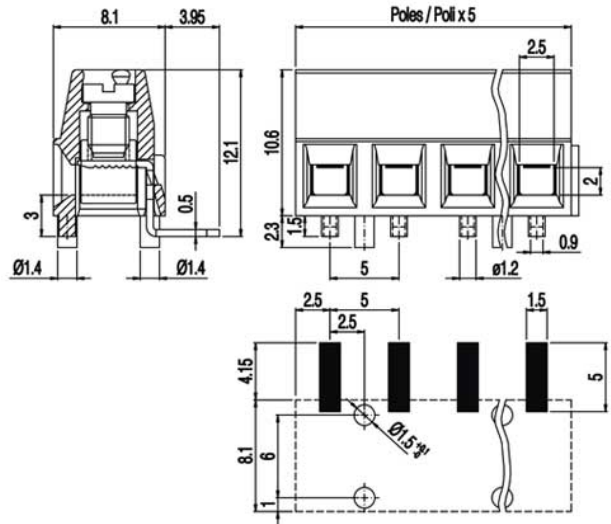


MV15_-5-H-SMD



locating pegs
pioli di posizionamento



GENERAL INFORMATION

pitch	5 mm
Height	10.6 mm
Depth	8.1 mm
Dimensional class	Bassa
Wire section	1.5 mm ² / 16 AWG
Clamp opening size	2.6 x 2 mm
Wire stripping	max 6 mm
Operating temperature	-40 ÷ +130 °C

ELECTRICAL CHARACTERISTICS

Current	13.5 A
Voltage	250 V
impulse voltage	2 kV

MECHANICAL CHARACTERISTICS

Screw	M3
Recommended torque	0.5÷0.55 Nm / 4.5÷4.9 in.lbs

APPROVALS DATA



Current	-	-	-
Voltage	-	-	-
Wire section	-	-	-
Torque	-	-	-
FILE	-	-	-

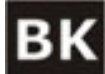
MATERIALS

Housing	PA - UL 94 V0
Screw	Galvanized steel
Clamp	Nickel-plated copper alloy
Terminal	Tin-plated copper alloy
SCIP Number	8e28a064-07ab-45c1-afc0-7873209ceda4

COLOURS

Standard

On request



POLES	NAME	3D FILE
2	MV152-5-H-SMD	File available
3	MV153-5-H-SMD	File available
4	MV154-5-H-SMD	File available
5	MV155-5-H-SMD	File available
6	MV156-5-H-SMD	File available
7	MV157-5-H-SMD	File available
8	MV158-5-H-SMD	File available
9	MV159-5-H-SMD	File available
10	MV1510-5-H-SMD	File available
11	MV1511-5-H-SMD	File available
12	MV1512-5-H-SMD	File available