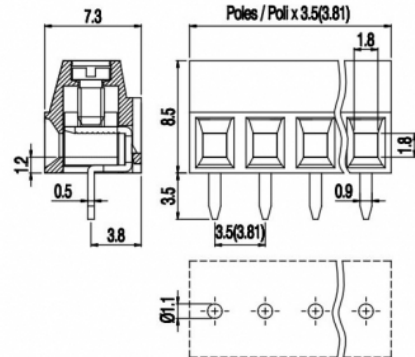


MV13_-3,81-V-L



Version with antirotation pegs is available on 2 poles connections.
Disponibile per connessioni a 2 poli versioni con perni antitorsione.

GENERAL INFORMATION

| | |
|-----------------------|------------------------------|
| pitch | 3,81 mm |
| Height | 8.5 mm |
| Depth | 7.3 mm |
| Dimensional class | Bassa |
| Wire section | 1.0 mm ² / 16 AWG |
| Clamp opening size | 1.8 x 1.8 mm |
| Wire stripping | max 6 mm |
| Operating temperature | -40 ÷ +130 °C |

ELECTRICAL CHARACTERISTICS

| | |
|-----------------|---------|
| Current | 17,5 A |
| Voltage | 130 V |
| impulse voltage | 1.25 kV |

MECHANICAL CHARACTERISTICS

| | |
|--------------------|----------------------------|
| Screw | M2 |
| Recommended torque | 0.2÷0.22 Nm / 1.8÷2 in.lbs |

APPROVALS DATA



| | EN 60998-1 | | UL 1059 |
|--------------|---------------------|---|---------------------------|
| Current | 13.5 A | - | 12 A factory / 10 A field |
| Voltage | 130 V | - | 150 V |
| Wire section | 1.0 mm ² | - | 16 AWG |
| Torque | 0.2 Nm | - | 1.8 Lb-in |
| FILE | CA02.04718 | - | E178356 |

MATERIALS

| | |
|---------|------------------|
| Housing | PA - UL 94 V0 |
| Screw | Galvanized steel |

Clamp
Terminal

Tin-plated copper alloy
Tin-plated copper alloy

COLOURS

Standard



On request



| POLES | NAME | 3D FILE |
|--------------|-----------------|----------------|
| 2 | MV132-3,81-V-L | File available |
| 3 | MV133-3,81-V-L | File available |
| 4 | MV134-3,81-V-L | File available |
| 5 | MV135-3,81-V-L | File available |
| 6 | MV136-3,81-V-L | File available |
| 7 | MV137-3,81-V-L | File available |
| 8 | MV138-3,81-V-L | File available |
| 9 | MV139-3,81-V-L | File available |
| 10 | MV1310-3,81-V-L | File available |
| 11 | MV1311-3,81-V-L | File available |
| 12 | MV1312-3,81-V-L | File available |