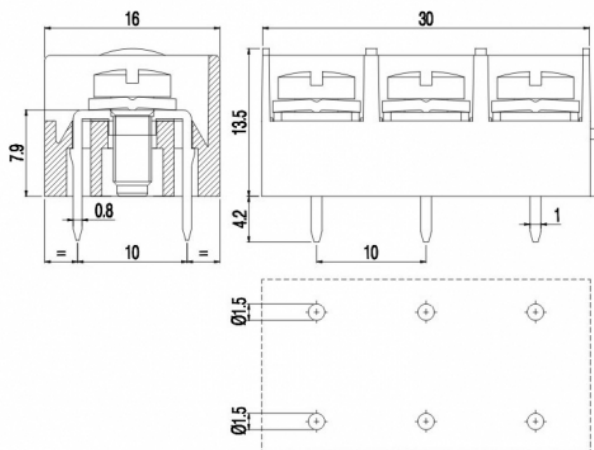
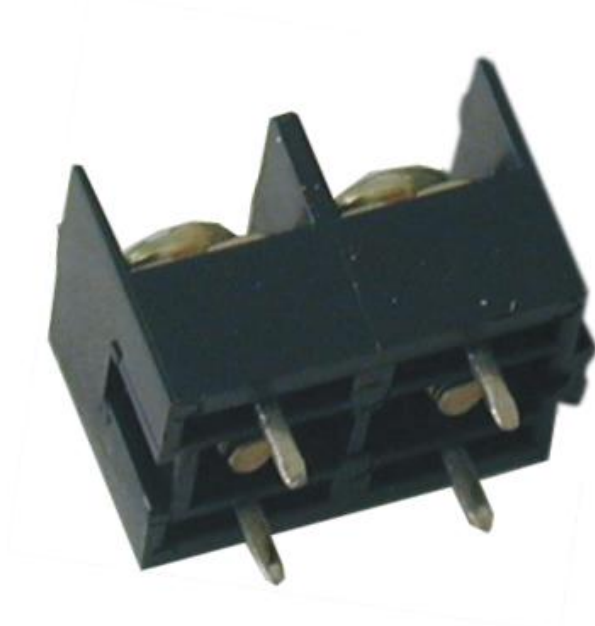


# MTS21\_-10-C



### GENERAL INFORMATION

pitch	10 mm
Height	13.5 mm
Depth	16 mm
Dimensional class	Media
Wire section	2x2.5 mm <sup>2</sup> / 2x14 AWG
Clamp opening size	-
Wire stripping	max 11 mm
Operating temperature	-40 ÷ +130 °C

### ELECTRICAL CHARACTERISTICS

Current	25 A
Voltage	250 V
impulse voltage	2 kV

### MECHANICAL CHARACTERISTICS

Screw	M3.5
Recommended torque	0.8÷0.88 Nm / 7.2÷7.9 in.lbs

### APPROVALS DATA



Current	-	-	<b>UL 1059</b>
Voltage	-	-	25 A factory / 20 A field
Wire section	-	-	300 V
Torque	-	-	12 AWG
FILE	-	-	7.2 Lb-in
			E178356

### MATERIALS

Housing	PA - UL 94 V0
Screw	Galvanized steel
Clamp	-

Terminal

Tin-plated copper alloy

**COLOURS**

Standard



On request



**POLES**

**NAME**

**3D FILE**

2	MTS212-10-C	File available
3	MTS213-10-C	File available