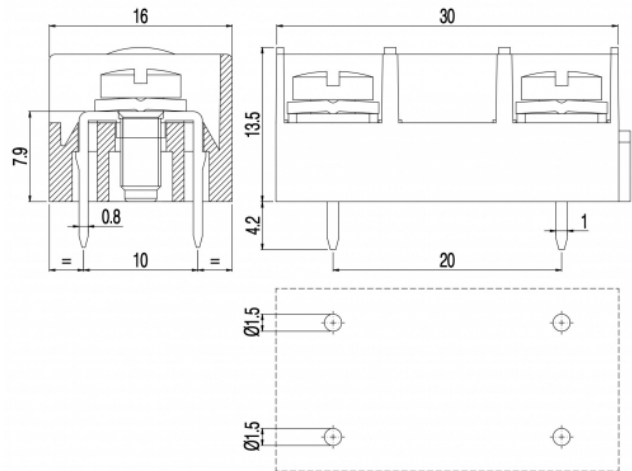
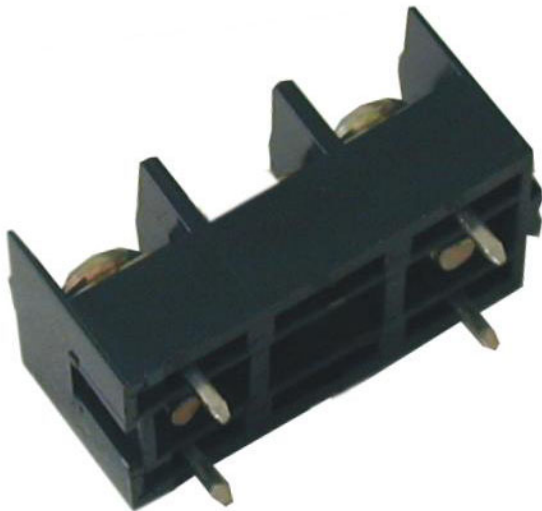


MTS21_-20-C



GENERAL INFORMATION

pitch	20 mm
Height	13.5 mm
Depth	16 mm
Dimensional class	Media
Wire section	2x2.5 mm ² / 2x14 AWG
Clamp opening size	-
Wire stripping	max 11 mm
Operating temperature	-40 ÷ +130 °C

ELECTRICAL CHARACTERISTICS

Current	25 A
Voltage	750 V
impulse voltage	3 kV

MECHANICAL CHARACTERISTICS

Screw	M3
Recommended torque	0.8÷0.88 Nm / 7.2÷7.9 in.lbs

APPROVALS DATA



Current	-	-	UL 1059
Voltage	-	-	25 A factory / 20 A field
Wire section	-	-	600 V
Torque	-	-	12 AWG
FILE	-	-	7.2 Lb-in
			E178356

MATERIALS

Housing	PA - UL 94 V0
Screw	Galvanized steel
Clamp	-
Terminal	Tin-plated copper alloy

COLOURS

Standard



On request



POLES	NAME	3D FILE
1	MTS211-20-C	File not available for this product
2	MTS212-20-C	File not available for this product