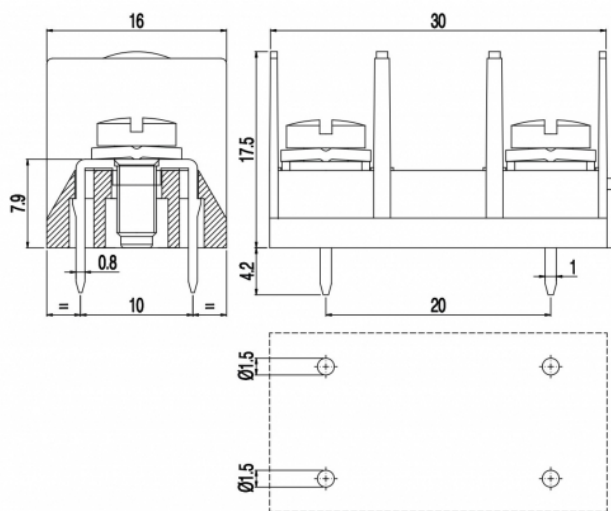


MT21_-20



GENERAL INFORMATION

pitch	20 mm
Height	17.5 mm
Depth	16 mm
Dimensional class	Media
Wire section	2x2.5 mm ² / 2x14 AWG
Clamp opening size	-
Wire stripping	max 11 mm
Operating temperature	-40 ÷ +130 °C

ELECTRICAL CHARACTERISTICS

Current	25 A
Voltage	750 V
impulse voltage	3 kV

MECHANICAL CHARACTERISTICS

Screw	M3.5
Recommended torque	0.8÷0.88 Nm / 7.2÷7.9 in.lbs

APPROVALS DATA



	EN 60998-1	EN 60998-1	UL 1059
Current	25 A	25 A	25 A factory / 20 A field
Voltage	750 V	750 V	600 V
Wire section	2x2.5 mm ²	2x2.5 mm ²	12 AWG
Torque	0.8 Nm	0.8 Nm	7.2 Lb-in
FILE	EQ203	40019721	E178356

MATERIALS

Housing	PA - UL 94 V0
Screw	Galvanized steel
Clamp	-
Terminal	Tin-plated copper alloy

COLOURS

Standard

On request



POLES

NAME

3D FILE

1	MT211-20	File not available for this product
2	MT212-20	File not available for this product