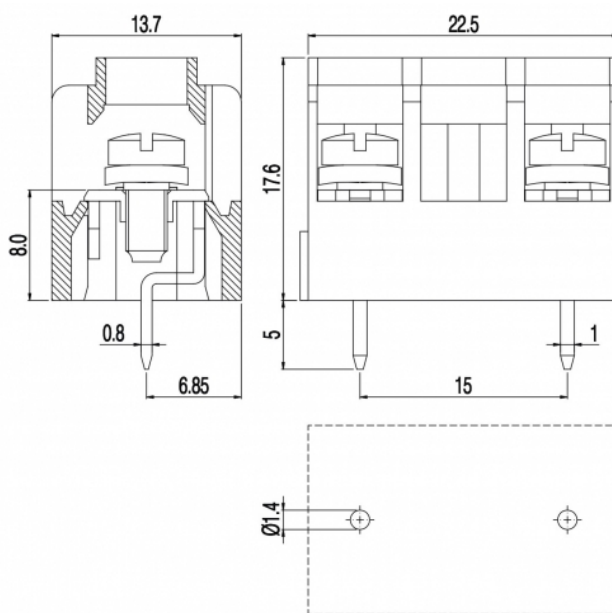


MT17_-15-YC



GENERAL INFORMATION

| | |
|-----------------------|----------------------------------|
| pitch | 15 mm |
| Height | 17.6 mm |
| Depth | 13.7 mm |
| Dimensional class | Media |
| Wire section | 2x2.5 mm ² / 2x14 AWG |
| Clamp opening size | - |
| Wire stripping | max 9 mm |
| Operating temperature | -40 ÷ +130 °C |

ELECTRICAL CHARACTERISTICS

| | |
|--------------|-------------|
| Current | 24 A |
| Voltage | 750 V |
| Test Voltage | 3 kVrms/60s |

MECHANICAL CHARACTERISTICS

| | |
|--------------------|------------------------------|
| Screw | M3 |
| Recommended torque | 0.5÷0.55 Nm / 4.5÷4.9 in.lbs |

APPROVALS DATA



| | | | |
|--------------|---|---|---------------------------|
| Current | - | - | UL 1059 |
| Voltage | - | - | 20 A factory / 15 A field |
| Wire section | - | - | 600 V |
| Torque | - | - | 30 ÷ 14 AWG |
| FILE | - | - | 4.5 Lb-in |
| | - | - | E178356 |

MATERIALS

| | |
|---------|------------------|
| Housing | PA - UL 94 V0 |
| Screw | Galvanized steel |
| Clamp | - |

Terminal

Tin-plated copper alloy

COLOURS

Standard

On request



POLES

NAME

3D FILE

| | | |
|---|-------------|-------------------------------------|
| 1 | MT171-15-YC | File not available for this product |
| 2 | MT172-15-YC | File not available for this product |