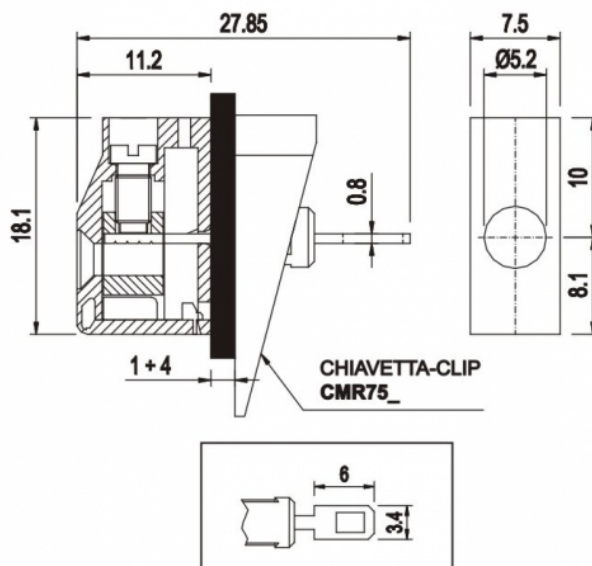


# MPT275



## GENERAL INFORMATION

pitch	7,5 mm
Height	18.1 mm
Depth	11.2 mm
Dimensional class	Media
Wire section	2.5 mm <sup>2</sup> / 14 AWG
Clamp opening size	-
Wire stripping	max 10 mm
Operating temperature	-40 ÷ +130 °C

## ELECTRICAL CHARACTERISTICS

Current	24 A
Voltage	450 V
impulse voltage	2.5 kV

## MECHANICAL CHARACTERISTICS

Screw	M3
Recommended torque	0.5÷0.55 Nm / 4.5÷4.9 in.lbs

## APPROVALS DATA



	EN 60998-1	EN 60998-1	UL 1059
Current	24 A	24 A	28 A factory / 20 A field
Voltage	450 V	450 V	300 V
Wire section	2.5 mm <sup>2</sup>	2.5 mm <sup>2</sup>	12 AWG
Torque	0.5 Nm	0.5 Nm	4.5 Lb-in
FILE	CA02.00600	40014733	E178356

## MATERIALS

Housing	PA - UL 94 V0
Screw	Galvanized steel
Clamp	Nickel-plated copper alloy
Terminal	Tin-plated copper alloy

SCIP Number

6befdb30-af98-42b8-a82d-2d28e496e455

**COLOURS**

Standard



On request



**POLES**

01

**NAME**

MPT275

**3D FILE**

File available