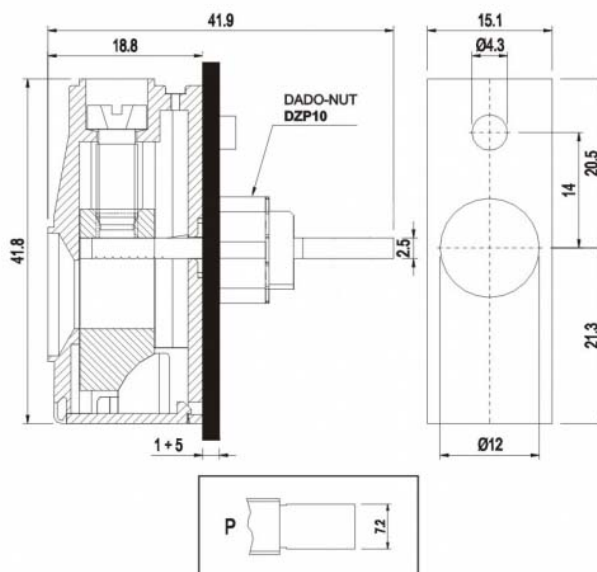


# MPT2515-P



## GENERAL INFORMATION

pitch	15,1 mm
Height	41.8 mm
Depth	18.8 mm
Dimensional class	n/a
Wire section	25 mm <sup>2</sup> / 4 AWG
Clamp opening size	-
Wire stripping	max 17 mm
Operating temperature	-40 ÷ +130 °C

## ELECTRICAL CHARACTERISTICS

Current	101 A
Voltage	750 V

## MECHANICAL CHARACTERISTICS

Screw	M5
Recommended torque	2÷2.2 Nm / 18÷19.8 in.lbs

## APPROVALS DATA



		EN 60998-1	UL 1059
Current	-	101 A	101 A factory / 85 A field
Voltage	-	750 V	600 V
Wire section	-	25 mm <sup>2</sup>	4 AWG
Torque	-	2 Nm	18 Lb-in
FILE	-	40016489	E178356

## MATERIALS

Housing  
Screw  
Clamp  
Terminal

PA - UL 94 V0  
Galvanized steel  
Nickel-plated copper alloy  
Tin-plated copper alloy

**COLOURS**

Standard



On request



**POLES**

01

**NAME**

MPT2515-P

**3D FILE**

File available