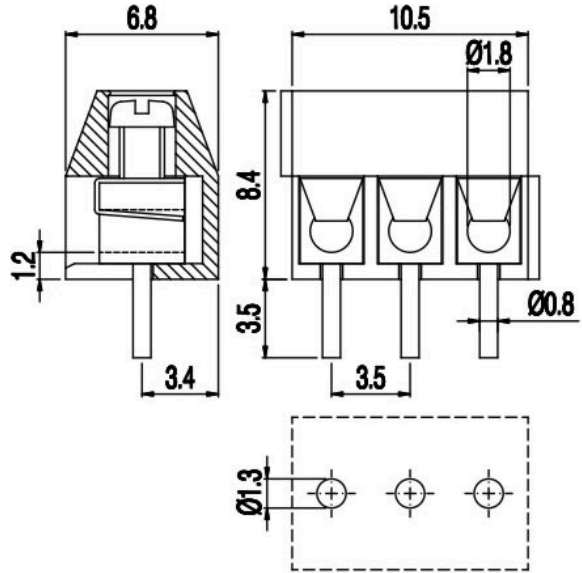
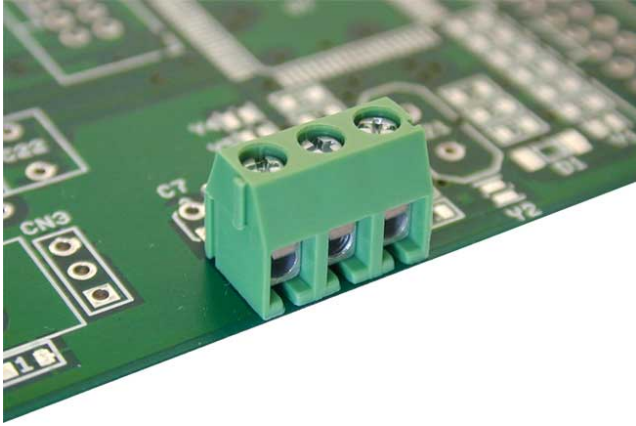


MLK13_-3,5-V



GENERAL INFORMATION

pitch	3,5 mm
Height	8.4 mm
Depth	6.8 mm
Dimensional class	Bassa
Wire section	1.0 mm ² / 16 AWG
Clamp opening size	1.8 x 1.8 mm
Wire stripping	max 6 mm
Operating temperature	-40 ÷ +105 °C

ELECTRICAL CHARACTERISTICS

Current	10 A
Voltage	130 V
impulse voltage	1.25 kV

MECHANICAL CHARACTERISTICS

Screw	M2
Recommended torque	0.2÷0.22 Nm / 1.8÷2 in.lbs

APPROVALS DATA



			UL 1059
Current	-	-	6 A factory / 6 A field
Voltage	-	-	300 V
Wire section	-	-	16 AWG
Torque	-	-	1.8 Lb-in
FILE	-	-	E178356

MATERIALS

Housing	PA - UL 94 V0
Screw	Galvanized steel
Clamp	Tin-plated copper alloy

Terminal

Tin-plated copper alloy

COLOURS

Standard

On request



POLES

NAME

3D FILE

2	MLK132-3,5-V	File available
3	MLK133-3,5-V	File available