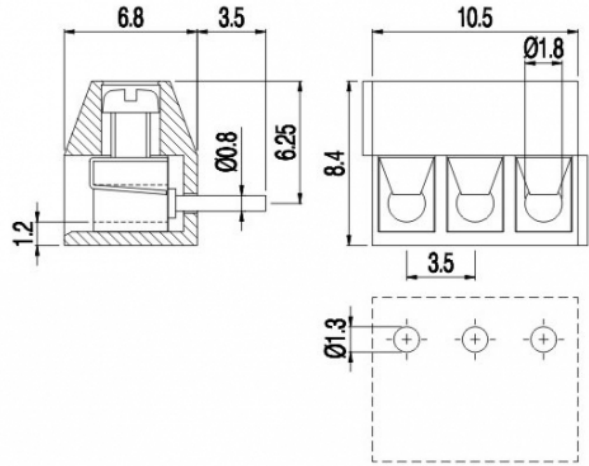
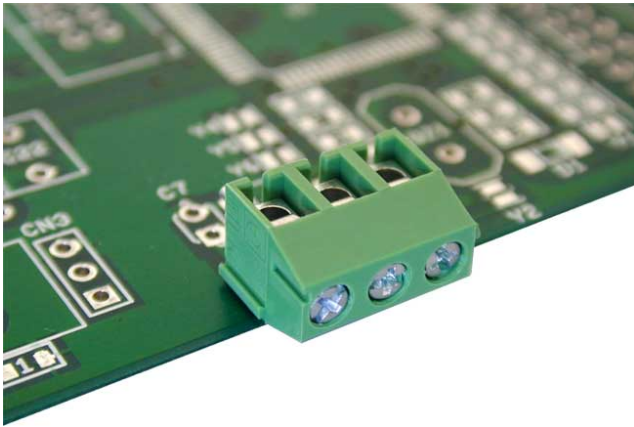


MLK13_-3,5-H



GENERAL INFORMATION

pitch	3,5 mm
Height	8.4 mm
Depth	6.8 mm
Dimensional class	Bassa
Wire section	1.0 mm ² / 16 AWG
Clamp opening size	1.8 x 1.8 mm
Wire stripping	max 6 mm
Operating temperature	-40 ÷ +105 °C

ELECTRICAL CHARACTERISTICS

Current	10 A
Voltage	130 V
Test Voltage	1.25 kVrms/60s

MECHANICAL CHARACTERISTICS

Screw	M2
Recommended torque	0.2÷0.22 Nm / 1.8÷2 in.lbs

APPROVALS DATA



Current	-	-	-
Voltage	-	-	-
Wire section	-	-	-
Torque	-	-	-
FILE	-	-	-

MATERIALS

Housing	PA - UL 94 V0
Screw	Galvanized steel
Clamp	Tin-plated copper alloy
Terminal	Tin-plated copper alloy

COLOURS

Standard

On request



POLES	NAME	3D FILE
2	MLK132-3,5-H	File available
3	MLK133-3,5-H	File available