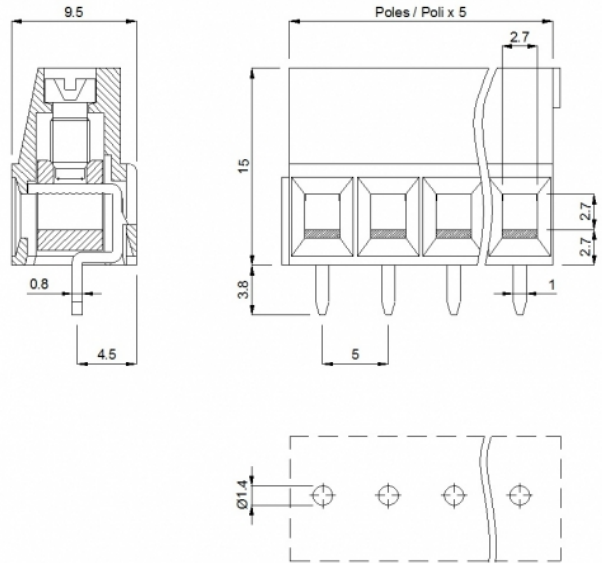
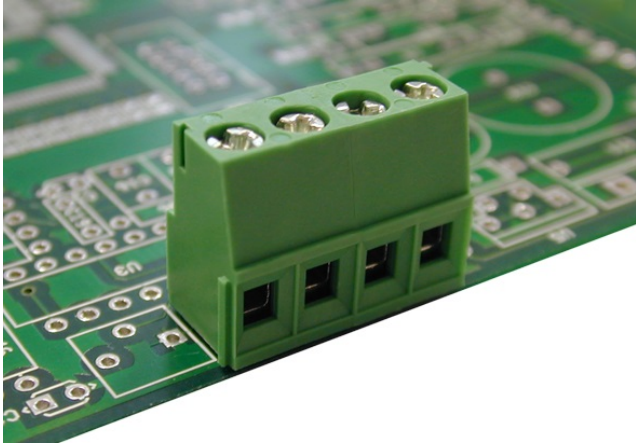


ML25_-5-V



GENERAL INFORMATION

pitch	5 mm
Height	15 mm
Depth	9.5 mm
Dimensional class	Media
Wire section	2.5 mm ² / 14 AWG
Clamp opening size	2.7 x 2.7 mm
Wire stripping	max 7 mm
Operating temperature	-40 ÷ +130 °C

ELECTRICAL CHARACTERISTICS

Current	16 A
Voltage	250 V
impulse voltage	2 kV

MECHANICAL CHARACTERISTICS

Screw	M3
Recommended torque	0.5÷0.55 Nm / 4.5÷4.9 in.lbs

APPROVALS DATA



	EN 60998-1		UL 1059
Current	16 A	-	15 A factory / 15 A field
Voltage	250 V	-	300 V
Wire section	2.5 mm ²	-	12 AWG
Torque	0.5 Nm	-	4.5 Lb-in
FILE	CA02.01614	-	E178356

MATERIALS

Housing	PA - UL 94 V0
Screw	Galvanized steel
Clamp	Nickel-plated copper alloy
Terminal	Tin-plated copper alloy
SCIP Number	e0e28fef-b46b-42ad-83c9-f668b6fb8d55

COLOURS

Standard



On request



POLES

NAME

3D FILE

2	ML252-5-V	File not available for this product
3	ML253-5-V	File not available for this product
4	ML254-5-V	File available