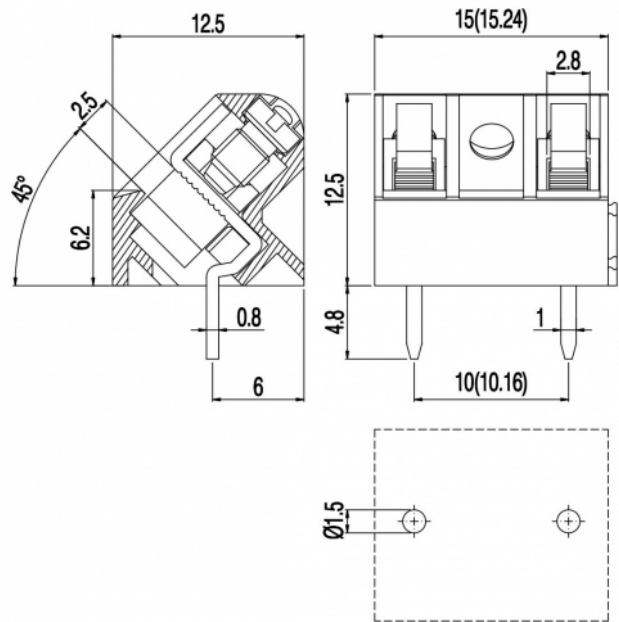
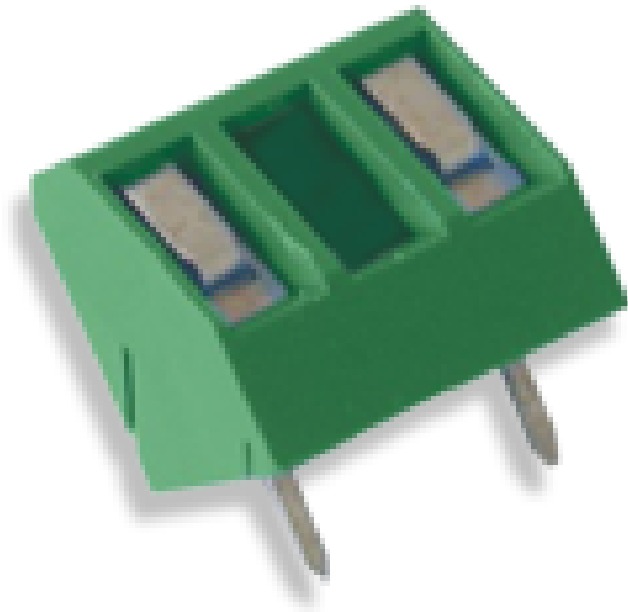


MIP25_-10,16-IQ



GENERAL INFORMATION

pitch	10,16 mm
Height	12.5 mm
Depth	12.5 mm
Dimensional class	Media
Wire section	2.5 mm ² / 14 AWG
Clamp opening size	2.8 x 2.5 mm
Wire stripping	max 8 mm
Operating temperature	-40 ÷ +130 °C

ELECTRICAL CHARACTERISTICS

Current	24 A
Voltage	750 V
impulse voltage	3 kV

MECHANICAL CHARACTERISTICS

Screw	M3
Recommended torque	0.5÷0.55 Nm / 4.5÷4.9 in.lbs

APPROVALS DATA



Current	-	-	UL 1059
Voltage	-	-	24 A factory / 20 A field
Wire section	-	-	300 V
Torque	-	-	12 AWG
FILE	-	-	4.5 Lb-in
			E178356

MATERIALS

Housing	PA - UL 94 V0
Screw	Galvanized steel
Clamp	Nickel-plated copper alloy

Terminal
SCIP Number

Tin-plated copper alloy
c6a908f2-e615-4316-8cfd-eebcad9d712

COLOURS

Standard



On request



POLES

NAME

3D FILE

1	MIP251-10,16-IQ	File not available for this product
2	MIP252-10,16-IQ	File not available for this product