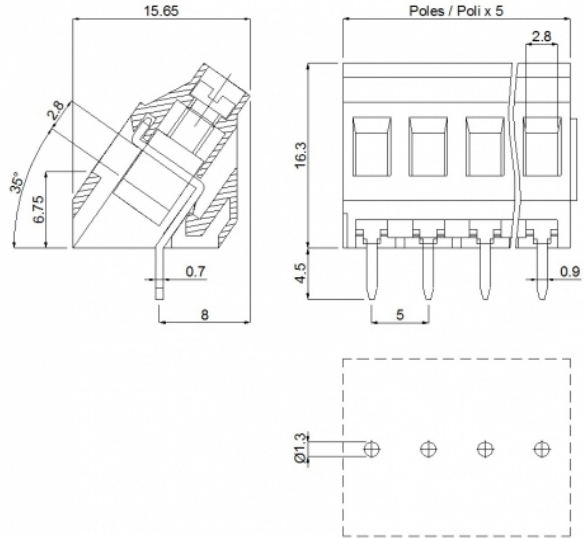


MI25_-5-IT



GENERAL INFORMATION

pitch	5 mm
Height	16.3 mm
Depth	15.65 mm
Dimensional class	Media
Wire section	2.5 mm ² / 14 AWG
Clamp opening size	2.8 x 2.8 mm
Wire stripping	max 8 mm
Operating temperature	-40 ÷ +130 °C

ELECTRICAL CHARACTERISTICS

Current	16 A
Voltage	450 V
impulse voltage	2.5 kV

MECHANICAL CHARACTERISTICS

Screw	M3
Recommended torque	0.5÷0.55 Nm / 4.5÷4.9 in.lbs

APPROVALS DATA



	EN 60998-1	EN 60998-1	UL 1059
Current	16 A	16 A	16 A factory / 15 A field
Voltage	450 V	450 V	300 V
Wire section	2.5 mm ²	2.5 mm ²	14 AWG
Torque	0.5 Nm	0.5 Nm	4.5 Lb-in
FILE	EP149	40023956	E178356

MATERIALS

Housing
Screw
Clamp
Terminal
SCIP Number

PA - UL 94 V0
Galvanized steel
Nickel-plated copper alloy
Tin-plated copper alloy
adcc4757-2c9a-4bb9-872b-3ddf9966c3b0

COLOURS

Standard



On request



POLES

NAME

3D FILE

2	MI252-5-IT	File not available for this product
3	MI253-5-IT	File not available for this product