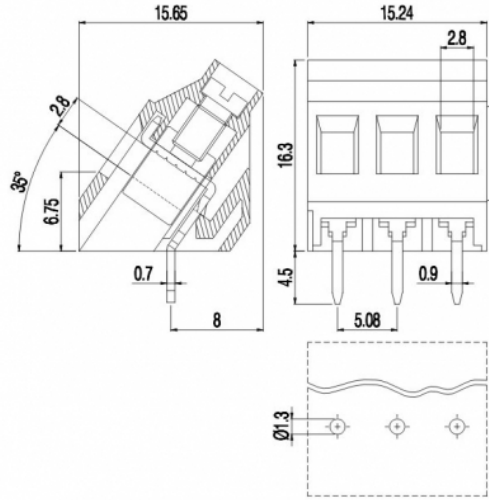


# MI25\_-5,08-IT



Version with antirotation pegs is available on 2 poles connections.  
Disponibile per connessioni a 2 poli versioni con perni antitorzione.

## GENERAL INFORMATION

pitch	5,08 mm
Height	16.3 mm
Depth	15.65 mm
Dimensional class	Media
Wire section	2.5 mm <sup>2</sup> / 14 AWG
Clamp opening size	2.8 x 2.8 mm
Wire stripping	max 8 mm
Operating temperature	-40 ÷ +130 °C

## ELECTRICAL CHARACTERISTICS

Current	16 A
Voltage	450 V
impulse voltage	2.5 kV

## MECHANICAL CHARACTERISTICS

Screw	M3
Recommended torque	0.5÷0.55 Nm / 4.5÷4.9 in.lbs

## APPROVALS DATA



	<b>EN 60998-1</b>	<b>EN 60998-1</b>	<b>UL 1059</b>
Current	16 A	16 A	16 A factory / 15 A field
Voltage	450 V	450 V	300 V
Wire section	2.5 mm <sup>2</sup>	2.5 mm <sup>2</sup>	14 AWG
Torque	0.5 Nm	0.5 Nm	4.5 Lb-in
FILE	EP149	40023956	E178356

## MATERIALS

Housing	PA - UL 94 V0
Screw	Galvanized steel
Clamp	Nickel-plated copper alloy
Terminal	Tin-plated copper alloy
SCIP Number	adcc4757-2c9a-4bb9-872b-3ddf9966c3b0

**COLOURS**

Standard

On request



POLES	NAME	3D FILE
2	MI252-5,08-IT	File not available for this product
3	MI253-5,08-IT	File not available for this product