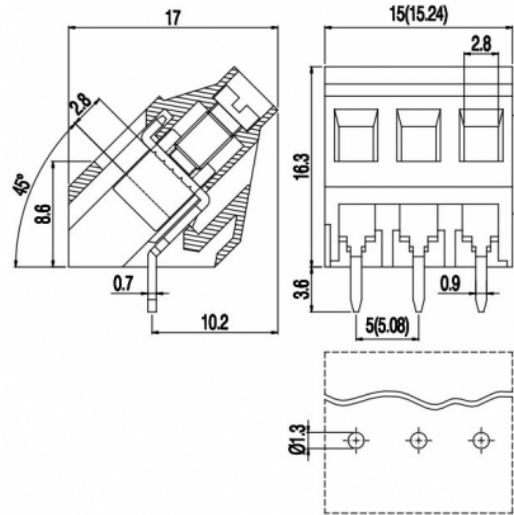
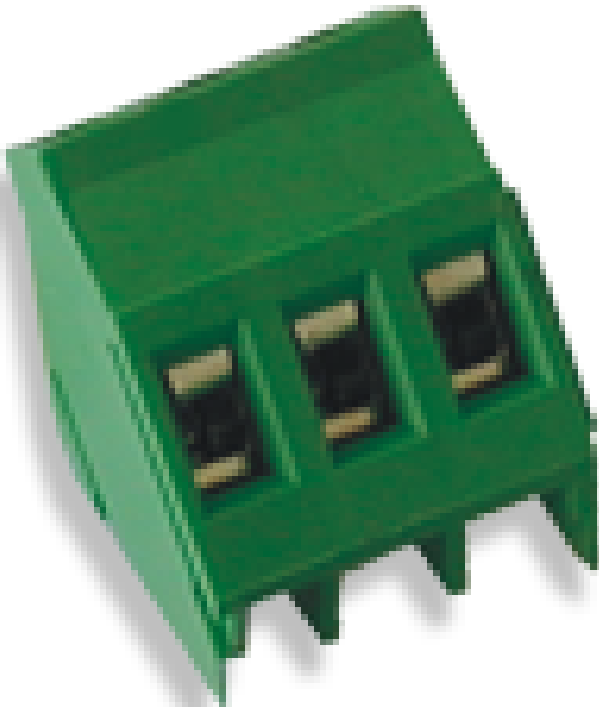


MI25_-5,08-IQ



Version with antirotation pegs is available on 2 poles connections.
Disponibile per connessioni a 2 poli versioni con perni antitorzione.

GENERAL INFORMATION

| | |
|-----------------------|------------------------------|
| pitch | 5,08 mm |
| Height | 16.3 mm |
| Depth | 17 mm |
| Dimensional class | Media |
| Wire section | 2.5 mm ² / 14 AWG |
| Clamp opening size | 2.8 x 2.8 mm |
| Wire stripping | max 8 mm |
| Operating temperature | -40 ÷ +130 °C |

ELECTRICAL CHARACTERISTICS

| | |
|-----------------|--------|
| Current | 16 A |
| Voltage | 450 V |
| impulse voltage | 2.5 kV |

MECHANICAL CHARACTERISTICS

| | |
|--------------------|------------------------------|
| Screw | M3 |
| Recommended torque | 0.5÷0.55 Nm / 4.5÷4.9 in.lbs |

APPROVALS DATA



| | | | |
|--------------|---------------------|---------------------|---------------------------|
| | EN 60998-1 | EN 60998-1 | UL 1059 |
| Current | 16 A | 16 A | 16 A factory / 15 A field |
| Voltage | 450 V | 450 V | 300 V |
| Wire section | 2.5 mm ² | 2.5 mm ² | 14 AWG |
| Torque | 0.5 Nm | 0.5 Nm | 4.5 Lb-in |
| FILE | EP149 | 40023956 | E178356 |

MATERIALS

| | |
|-------------|--------------------------------------|
| Housing | PA - UL 94 V0 |
| Screw | Galvanized steel |
| Clamp | Nickel-plated copper alloy |
| Terminal | Tin-plated copper alloy |
| SCIP Number | adcc4757-2c9a-4bb9-872b-3ddf9966c3b0 |

COLOURS

| | | | | | | |
|---|---|---|---|--|---|---|
| Standard | On request | | | | | |
|  |  |  |  |  |  |  |

| POLES | NAME | 3D FILE |
|--------------|---------------|----------------|
| 2 | MI252-5,08-IQ | File available |
| 3 | MI253-5,08-IQ | File available |