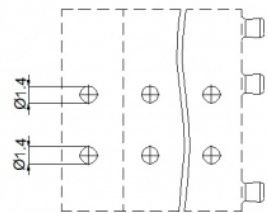
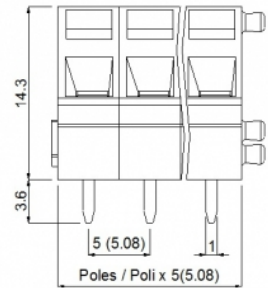
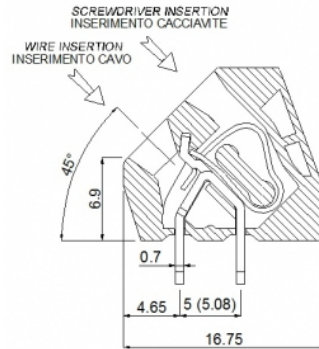


MG1__-5,08-DI



GENERAL INFORMATION

| | |
|-----------------------|------------------------------|
| pitch | 5,08 mm |
| Height | 14.3 mm |
| Depth | 16.75 mm |
| Dimensional class | Bassa |
| Wire section | 2.5 mm ² / 14 AWG |
| Clamp opening size | 2.45 x 2.45 mm |
| Wire stripping | max 9 mm |
| Operating temperature | -40 ÷ +130 °C |

ELECTRICAL CHARACTERISTICS

| | |
|--------------|-------------|
| Current | 24 A |
| Voltage | 250 V |
| Test Voltage | 2 kVrms/60s |

MECHANICAL CHARACTERISTICS

| | |
|--------------------|---|
| Screw | - |
| Recommended torque | - |

APPROVALS DATA



| | | | |
|--------------|---|---|---------------------------|
| Current | - | - | UL 1059 |
| Voltage | - | - | 17 A factory / 17 A field |
| Wire section | - | - | 300 V |
| Torque | - | - | 12 ÷ 30 AWG |
| FILE | - | - | - |
| | | | E178356 |

MATERIALS

| | |
|---------|---------------|
| Housing | PA - UL 94 V0 |
| Screw | - |

Spring
Terminal

Spring steel
Tin-plated copper alloy

COLOURS

Standard



On request



POLES

01

NAME

MG101-5,08-DI

3D FILE

File not available for this product