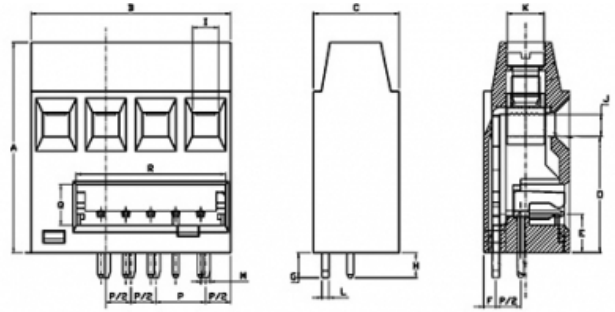
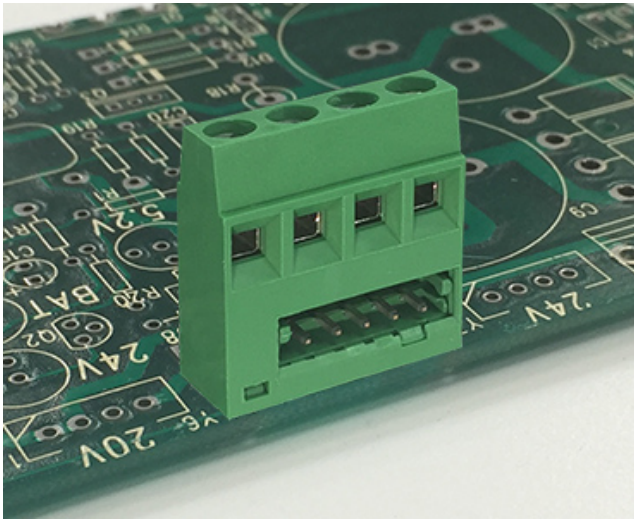


MDX154-5-PZ



DIMENSIONI - DIMENSIONS							
	MDX154	-	-		MDX154	-	-
	5-PZ				5-PZ		
A	21.10	-	-	J	2.20	-	-
B	20.00	-	-	K	Ø3.70	-	-
C	8.60	-	-	L	0.70	-	-
D	3.00	-	-	M	1.00	-	-
E	3.90	-	-	N	-	-	-
F	1.20	-	-	O	11.65	-	-
G	2.50	-	-	P	5.00	-	-
H	2.50	-	-	Q	4.10	-	-
I	2.60	-	-	R	15.10	-	-

GENERAL INFORMATION

pitch	5 mm
Height	21.1 mm
Depth	8.6 mm
Dimensional class	Alta
Wire section	1,5 mm ² / 14 AWG
Clamp opening size	2,6 x 2,2 mm
Wire stripping	max 6,4 mm
Operating temperature	-40 ÷ +130 °C

ELECTRICAL CHARACTERISTICS

Current	17,5 A
Voltage	250 V
impulse voltage	2 kV

MECHANICAL CHARACTERISTICS

Screw	M3
Recommended torque	0,5÷0 Nm / 4,5÷4.4 in.lbs

APPROVALS DATA



Current	-	-	-
Voltage	-	-	-
Wire section	-	-	-
Torque	-	-	-

FILE

MATERIALS

Housing PA - UL 94 V0
Screw Galvanized steel
Clamp -
Terminal -
SCIP Number 0b6df79d-f5a7-4ccc-9521-2ad844692dec

COLOURS

Standard



On request



POLES

4

NAME

MDX154-5-PZ

3D FILE

File available