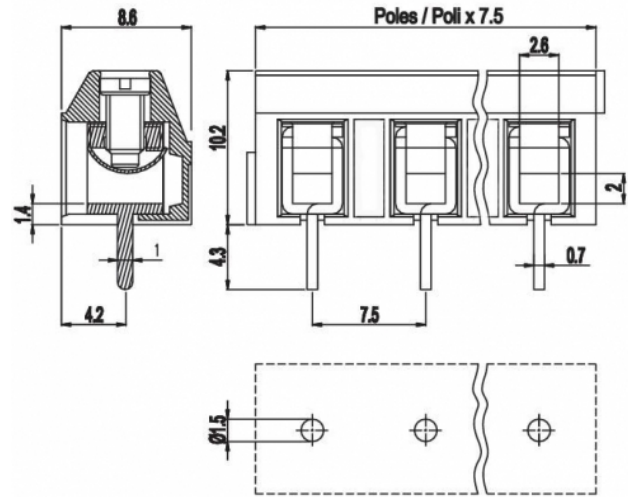
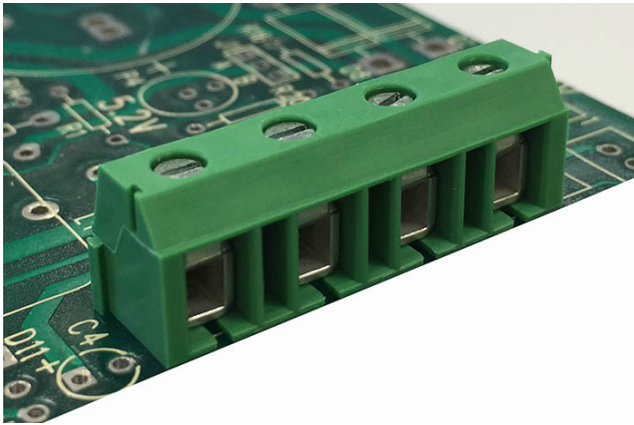


MBE17_-7,5-V



GENERAL INFORMATION

pitch	7,5 mm
Height	10.20 mm
Depth	8.60 mm
Dimensional class	Media
Wire section	2,5 mm ² / 14 AWG
Clamp opening size	2,6 x 2 mm
Wire stripping	max 7 mm
Operating temperature	-40 ÷ +130 °C

ELECTRICAL CHARACTERISTICS

Current	24 A
Voltage	750 V
impulse voltage	3 kV

MECHANICAL CHARACTERISTICS

Screw	M2,5
Recommended torque	0,4÷0 Nm / 3,6÷3.3 in.lbs

APPROVALS DATA



			UL 1059
Current	-	-	20 A factory / 15 A field
Voltage	-	-	300 V
Wire section	-	-	14 AWG
Torque	-	-	3,6 Lb-in
FILE	-	-	E178356

MATERIALS

Housing	PA - UL 94 V0
Screw	Galvanized steel
Clamp	Tin-plated copper alloy
Terminal	Tin-plated copper alloy

COLOURS

Standard

On request

GN

GY

BK

BL

RD

YL

OG

POLES	NAME	3D FILE
2	MBE172-7,5-V	File available
3	MBE173-7,5-V	File not available for this product
4	MBE174-7,5-V	File not available for this product
5	MBE175-7,5-V	File not available for this product
6	MBE176-7,5-V	File not available for this product
7	MBE177-7,5-V	File not available for this product
8	MBE178-7,5-V	File not available for this product