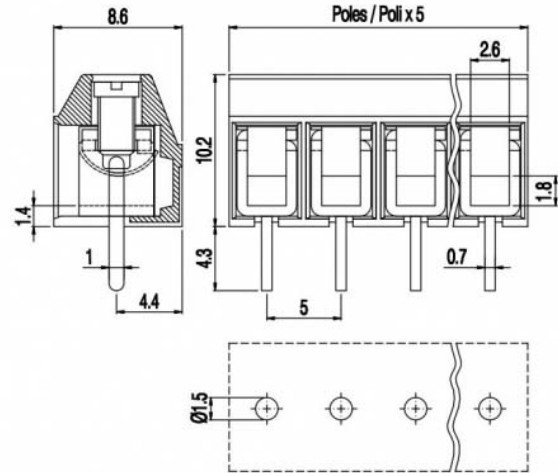


MBE15_-5-V-L



Version with antirotation pegs is available on 2 poles connections.
Disponibile per connessioni a 2 poli versioni con perni antitorsione.

GENERAL INFORMATION

pitch	5 mm
Height	10.2 mm
Depth	8.6 mm
Dimensional class	Bassa
Wire section	2.5 mm ² / 14 AWG
Clamp opening size	2.6 x 2 mm
Wire stripping	max 8 mm
Operating temperature	-40 ÷ +130 °C

ELECTRICAL CHARACTERISTICS

Current	24 A
Voltage	450 V
impulse voltage	2.5 kV

MECHANICAL CHARACTERISTICS

Screw	M2.5
Recommended torque	0.4÷0.44 Nm / 3.6÷4 in.lbs

APPROVALS DATA



	EN 60998-1	EN 60998-1	UL 1059
Current	17.5 A	24 A	20 A factory / 15 A field
Voltage	450 V	450 V	300 V
Wire section	1.5 mm ²	2.5 mm ²	14 AWG
Torque	0.4 Nm	0.4 Nm	3.6 Lb-in
FILE	EP151	40019705	E178356

MATERIALS

Housing	PA - UL 94 V0
Screw	Galvanized steel
Clamp	Tin-plated copper alloy
Terminal	Tin-plated copper alloy

SCIP Number

f96aa5fb-ce76-4818-a732-b41ce6983956

COLOURS

Standard



On request



POLES

NAME

3D FILE

2	MBE152-5-V-L	File available
3	MBE153-5-V-L	File not available for this product
4	MBE154-5-V-L	File not available for this product
5	MBE155-5-V-L	File not available for this product
6	MBE156-5-V-L	File not available for this product
7	MBE157-5-V-L	File not available for this product
8	MBE158-5-V-L	File not available for this product
9	MBE159-5-V-L	File not available for this product
10	MBE1510-5-V-L	File not available for this product
11	MBE1511-5-V-L	File not available for this product
12	MBE1512-5-V-L	File not available for this product